

BPS - 15



Description

Pressed bends are designed for installation of spiral ducts and plain ducts. Seam welds provide air tightness class D without the need to use any other sealants. The double EPDM gasket in the BPL version provides air tightness class D according to EN 12237 for ventilation and recuperation systems. The piece is connected with a duct by inserting one into the other. The pressed form of the ventilation piece helps to reduce the flow resistance and the pressure loss. Custom bending angles of the pressed bends are available on request.

Available materials - Product code example

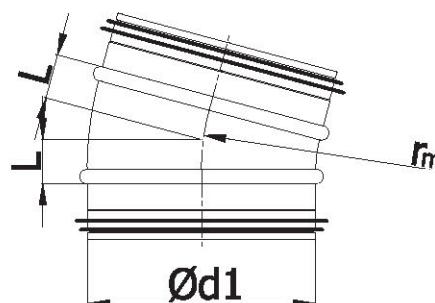
BPS-15-... - galvanized steel sheet

Product code example

Product code: **BPS - aaa - 15**

type _____
 Ød₁ _____
 angle _____

Dimensions



$$r_m \approx 1 \times d_1$$

Ød _{1, nom} (mm)	L (mm)	Weight (kg)
80	13	0.20
100	13	0.30
112	16	0.30
125	16	0.30
140	18	0.40
150	20	0.40
160	21	0.50
180	23	0.60
200	26	0.60

Technical specifications

Flow chart for BPS-15

