

BF - 60



Description

Segmented bends are designed for building ventilation systems based on spiral and plain ducts. They are made of 4 segments; bends in diameters of DN 1120 mm and greater are composed of 5 segments. The segments are fastened by hemming and seaming. The piece is connected with a duct by inserting one into the other.

Available materials - Product code example
BF-60 - galvanized steel sheet

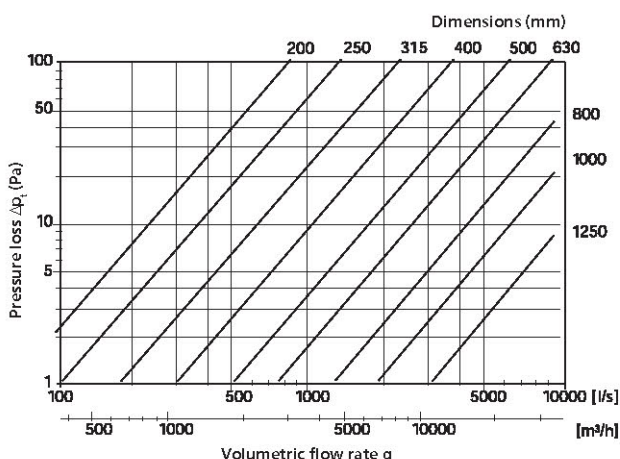
Product code example

Product code: **BF - aaa - 60**

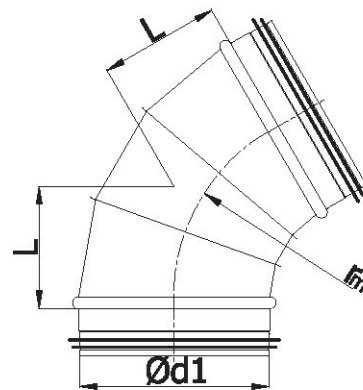
type _____
 $\text{\O}d_1$ _____
 angle _____

Technical specifications

Flow charts for BF-60



Dimensions



$$r_m \approx 1 \times d_1$$

| $\text{\O}d_{1, nom}$ (mm) | L (mm) | Weight (kg) |
|-------------------------------|-----------|----------------|
| 200 | 115 | 0.80 |
| 224 | 129 | 0.95 |
| 250 | 144 | 1.16 |
| 280 | 162 | 1.45 |
| 300 | 173 | 1.63 |
| 315 | 182 | 1.77 |
| 355 | 205 | 2.63 |
| 400 | 231 | 3.74 |
| 450 | 260 | 5.77 |
| 500 | 290 | 6.90 |
| 560 | 325 | 8.40 |
| 600 | 350 | 9.50 |
| 630 | 365 | 10.30 |
| 710 | 412 | 16.00 |
| 800 | 465 | 19.70 |
| 900 | 522 | 24.30 |
| 1000 | 580 | 30.20 |
| 1120 | 650 | 41.70 |
| 1250 | 725 | 51.30 |
| 1400 | 782 | 62.90 |
| 1500 | 865 | 71.50 |
| 1600 | 924 | 80.40 |