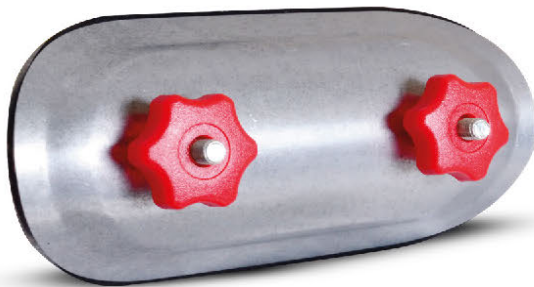
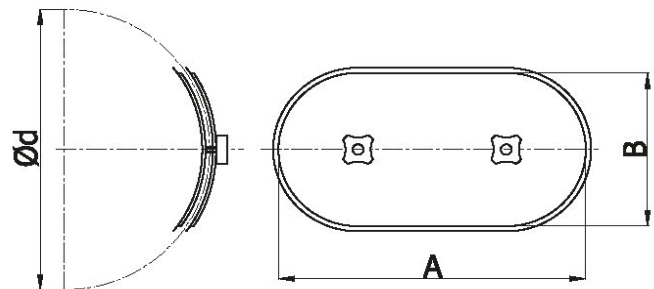


CAS - Curved Access Door with Seal



Dimensions



Description

The CAS access door features a EPDM gasket and it is designed for installation on round duct walls. The design of the CAS access door and its gasket profile provide a perfect seal around the duct opening. This ensures a high air tightness class.

The product provides a very simple, low-cost and extremely effective solution for closing and sealing access openings in the ductwork. The openings made in the ductwork for access doors must be sized to meet the requirements of EN 12097.

Another determinant of the access opening size is how the interior is cleaned. Some cleaning processes and tools require access doors as large as 800x400 mm. The access door is installed in the opening made using the cutting template supplied with the product. When the lock knobs are undone, the spacing between the outer and inner covers of the access door expands for the inner cover to enter the ductwork inner diameter. Once the access door has been adjusted to the opening, it is closed by tightening the lock knobs.

The access door gasket provides the highest air tightness class and the required gasket profile.

Available materials — Product code examples
IPR-...- galvanized steel sheet

Product code example

Product code: **CAS - aaa**

type _____
Ød _____

$\varnothing d_{nom}$ (mm)	A (mm)	B (mm)	Weight (kg)	Diameter range
80	180	80	0.3	76-85
100	180	80	0.3	96-105
125	180	80	0.3	121-130
150	200	100	0.4	130-155
160	200	100	0.4	156-190
200	200	100	0.4	191-240
250	200	100	0.4	241-300
315	200	100	0.4	301-360
355	300	200	1.0	341-380
400	300	200	1.0	381-420
450	300	200	1.0	421-470
500	300	200	1.0	471-530
560	400	300	2.0	531-600
630	400	300	2.0	601-670
710	400	300	2.0	671-750
800	400	300	2.0	751-850

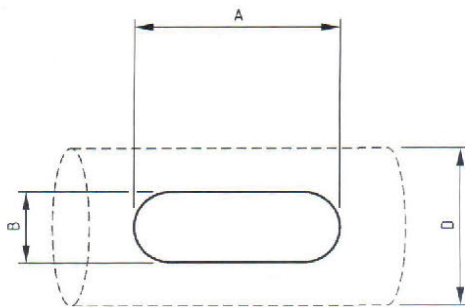
A and B are the dimensions of the opening to be made in the duct wall.

CAS - Curved Access Door with Seal

Technical specifications

Minimum dimensions of the access opening for round ducts in accordance with EN 12097.

Oval or square opening	
Nominal duct diameter (mm) D	Minimum opening dimensions in the duct wall (mm) AxB
$100 \leq D < 200$	180x80
$200 \leq D \leq 315$	200x100
$315 < D \leq 500$	300x200
$500 < D$	400x300



The CR EPDM cellular gasket is highly resistant to weathering and UV radiation, which allows installing the CAS access door in outdoor ducts.

Note!

Always observe the installation requirements, e.g. the access door must not be installed near water pooling surfaces.

Temperature range: -30 °C to +120 °C